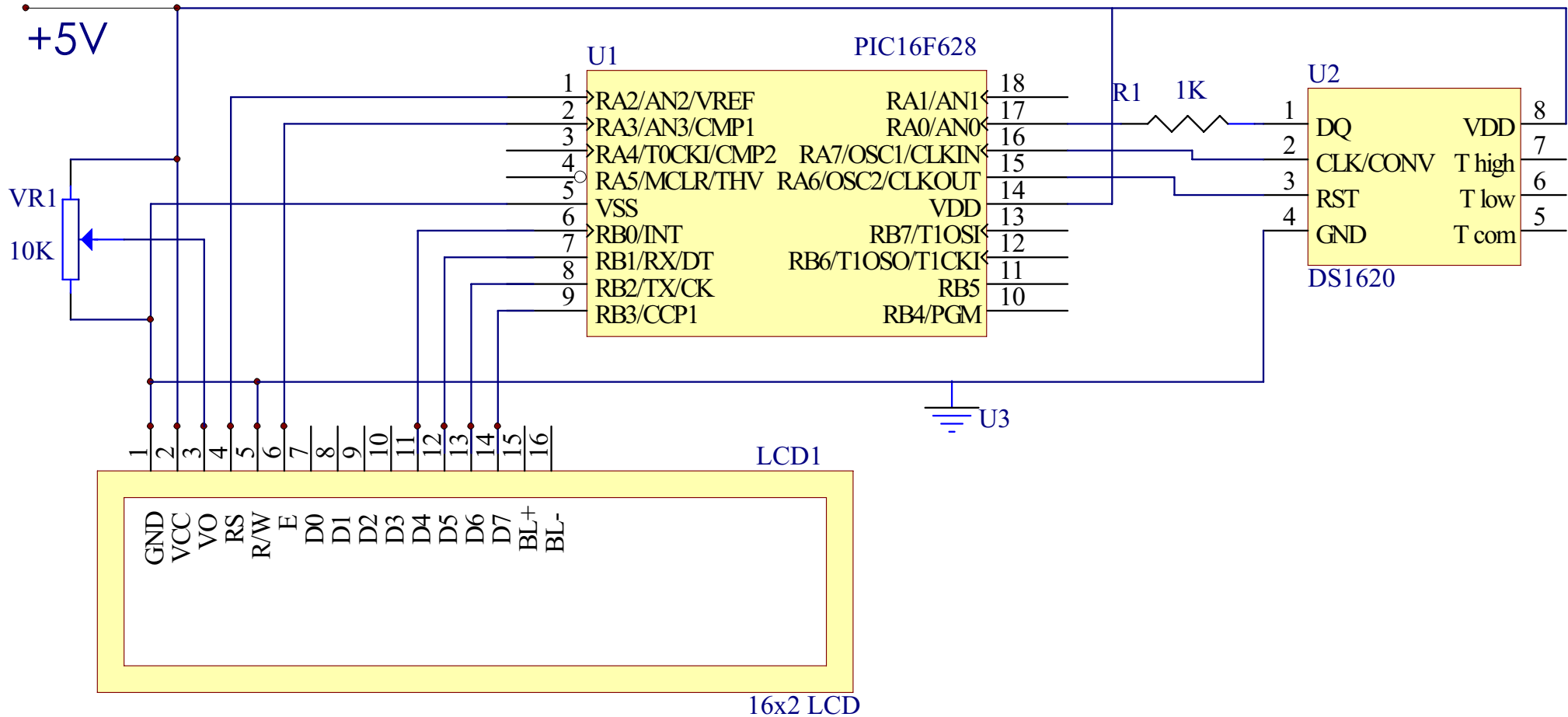


DS1620 Temperature sensor to PIC16F628 + LCD interface



www.spiralbrain.tk spiralbrain@yahoo.com
 ©Ramandeep Singh 2004